

VENTMATIKA

CIRCULAR DUCT WATER HEATERS

CW series



Table of contents

Description	2
Model marking.....	2
Operating data.....	2
Installation CWH	3
Installation CWC	3
Cleaning	3
Dimensions	3
Product warranty.....	5

Description

The duct water heaters CWC/CWH with circular duct connections are designed for heating/cooling the ventilation air in a ventilation system. The CWH/CWC can also be used for heating or cooling individual rooms or zones. For controlling the room or supply air temperature, the duct heaters can be supplemented with regulators, sensors, actuators, valves and anti-freeze protection.

- 9 standard sizes (9 heaters and 9 coolers);
- Water coils with 2 or 3 tube rows (cooler with 3 rows only);
- Casing of Aluzinc coated sheet steel, AZ 150;
- Openable cover for inspection and cleaning;
- Circular duct connections with rubber seals;
- Air tightness class D to EN 15727;
- Coils are used with water (0/+110°C), as well as glycol (-40/110°C);

Model marking

CWH 125-2

1 2 3

1- Type

CWH – Circular water heater

CWC – Circular water cooler

2 – Duct diameter (mm)

100 – 100 mm	315 – 315 mm
125 – 125 mm	355 – 355 mm
160 – 160 mm	400 – 400 mm
200 – 200 mm	500 – 500 mm
250 – 250 mm	

3 – Number of tube rows

2 – 2 rows **3** – 3 rows

Operating data: water coil

- Operating temperature range: 0/+110°C (water); -40/110°C (glycol)
- Max. operating pressure: 1,6 MPa (16 bar)
- The coils are tested for leakage (Bubble test described in the EN 1799)

Installation CWH

The duct water heater CWH can be installed in a horizontal or vertical duct, with the air flow in either direction. The heater should not be fitted too close to a fan outlet or a bend in the ducting because then there is a risk that the air flow through the heat exchanger is uneven which might result in lower efficiency. The heater is normally fitted after the fan. The heater is controlled by external regulators, sensors, valves and actuators, which must be ordered separately.

Installation CWC

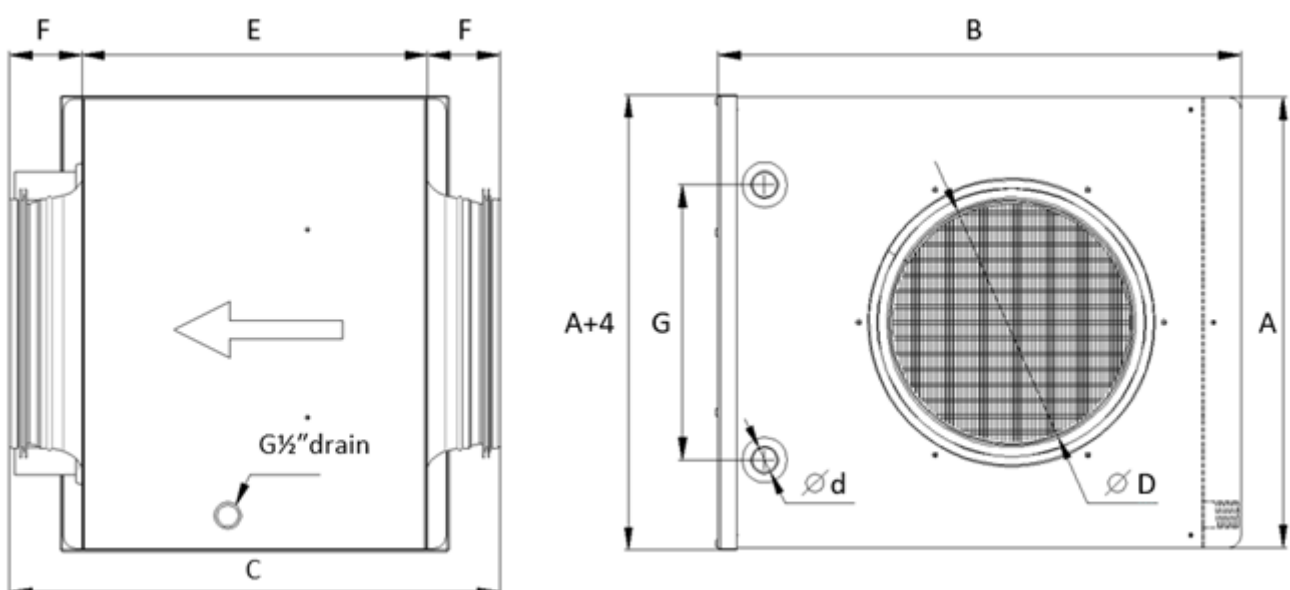
The duct water cooler CWC can be installed in a horizontal duct only, with the air flow in either direction. The duct water cooler is partly insulated. A drain pipe is required to drain off any condensed water with drain connection of G $\frac{1}{2}$ ". The heater is controlled by external regulators, sensors, valves and actuators, which must be ordered separately.

Cleaning

The heat exchanger must be cleaned regularly in order to retain the best performance from the heater/cooler. The cleaning interval depends on the air cleanliness and on the correct maintenance of the whole system.

The heat exchanger is easily accessible for cleaning when the lid of the heater/cooler is removed. Whole heater/cooler can be cleaned by compressed air, water or steam.

Dimensions



G $\frac{1}{2}$ " drain is used in water coolers only.

<i>Heater type</i>	\varnothing <i>D(mm)</i>	<i>A(mm)</i>	<i>B(mm)</i>	<i>C(mm)</i>	<i>E(mm)</i>	<i>F(mm)</i>	<i>G(mm)</i>	\varnothing <i>d(mm)</i>
CWH 100-2	100	259	315	417	277	70	145	10
CWH/CWC 100-3	100	259	315	417	277	70	145	10
CWH 125-2	125	259	315	397	277	60	145	10
CWH/CWC 125-3	125	259	315	397	277	60	145	10
CWH 160-2	160	259	315	397	277	60	145	10
CWH/CWC 160-3	160	259	315	397	277	60	145	10
CWH 200-2	200	360	400	397	277	60	220	22
CWH/CWC 200-3	200	360	400	397	277	60	220	22
CWH 250-2	250	360	400	417	277	70	220	22
CWH/CWC 250-3	250	360	400	417	277	70	220	22
CWH 315-2	315	509	580	417	277	70	375	22
CWH/CWC 315-3	315	509	580	417	277	70	375	22
CWH 355-2	355	509	580	437	277	80	375	22
CWH/CWC 355-3	355	509	580	437	277	80	375	22
CWH 400-2	400	509	580	517	277	120	375	22
CWH/CWC 400-3	400	509	580	517	277	120	375	22
CWH 500-2	500	659	689	467	277	95	477	22
CWH/CWC 500-3	500	659	689	467	277	95	477	22

* - coolers (CWC) are with 3 row coil only.

Product warranty

Fill in this warranty information form and keep this page for future reference or when warranty service may be required.

Model name		CWC/CWH-...
Warranty period		
Date of invoice		
Customer info	Name (company)	
	Address	
	Contact info	
Retailer info	Name (company)	
	Address	
	Contact info	
Fault description		

The product warranty covers product malfunctions, under normal operating conditions for 24 months from the date of manufacturer's invoice. Please note that the product warranty terms may vary depending on purchase or installation contracts.

During the product warranty period, warranty service (free of charge) is provided for product malfunctions caused under normal operating conditions. For warranty service, contact an official "Ventmatika UAB" dealer. Any manipulation of the appliance by personnel not appointed by "Ventmatika UAB" will cancel the guarantee. "Ventmatika UAB" reserves the right to modify the product without prior notice.



Manufacturer:

VENTMATIKA UAB

Metalistu str. 2A -1, 78107 Šiauliai

Lithuania

CW2021_EN_01