

# Water coils

## For heating and cooling

- ▶ We offer a wide range of finned coils for heating or cooling systems.
- ▶ Selection tool available for implementing to AHU builder software or as stand-alone version.
- ▶ The geometry of the heat exchanger was developed by a group of experienced engineers and tested in external laboratories. The product was developed together with the DMT laboratory in Germany to guarantee effective heating and cooling.

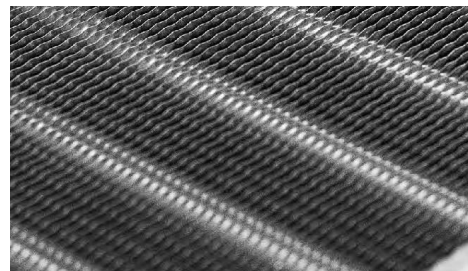
### TUBES

- Diameter: 12.7 mm / 1/2"
- Copper
- Resistant to the vast majority of primary fluids



### FINS

- Aluminum 0.2mm



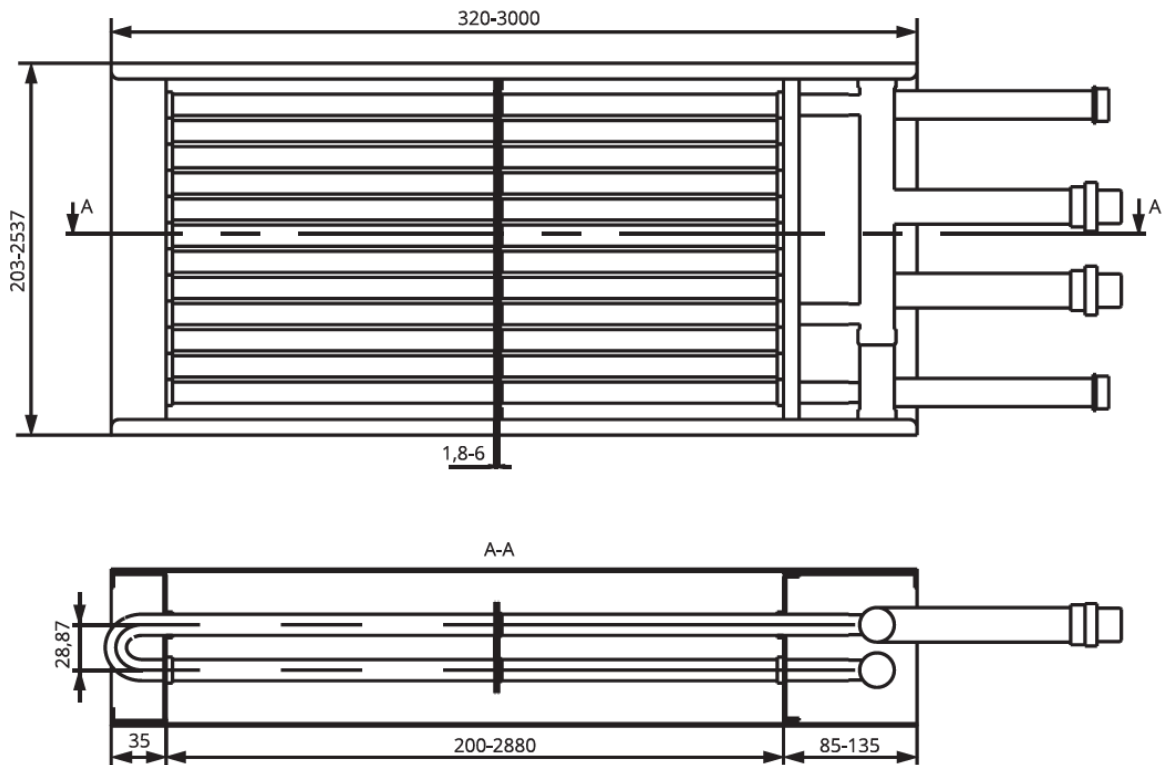
### FRAME

- Galvanized steel, Aluzinc
- Max fluid velocity: 3 m/s in tubes
- Max operating pressure: 2.2 MPa
- Max operating temperature: 100oC
- Normal air velocity: 3-4 m/s
- Max air velocity: 5 m/s
- Airflow range at a temperature of -40oC: 0.03-40 m3
- Water, ethylene glycol, propylene glycol



## ▶ Geometries

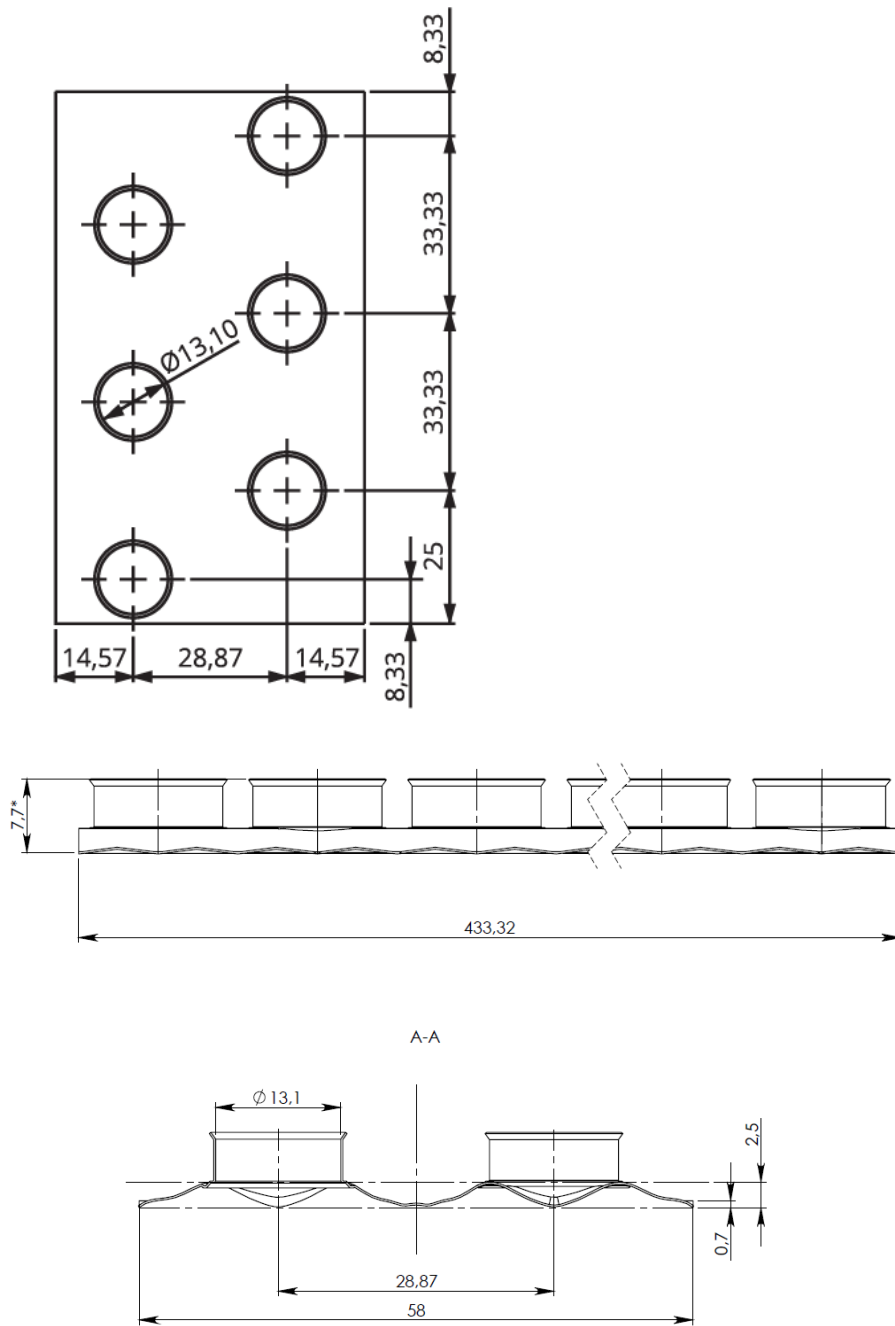
External measurements	Width Min 320 mm	Max 3000 mm
	Height Min 137 mm	Max 2537 mm
Fin width	Min 29 mm	Max 348 mm
Number of rows	Min 1	Max 12
Distance between rows	28,87 mm	
Tube diameter	12,7 mm	
Tube wall thickness	0,4 mm	
Tube length	Min 220 mm	Max 2550 mm



VENTMATIKA UAB  
 Metalistų g. 2A-1, LT -78107 Šiauliai  
 Tel./fax.: +370 41 54 02 55

Įmonės kodas: 145911813  
 PVM mok. kodas/ LT459118113  
 A/S LT207300010082178193  
 „Swedbank“ AB

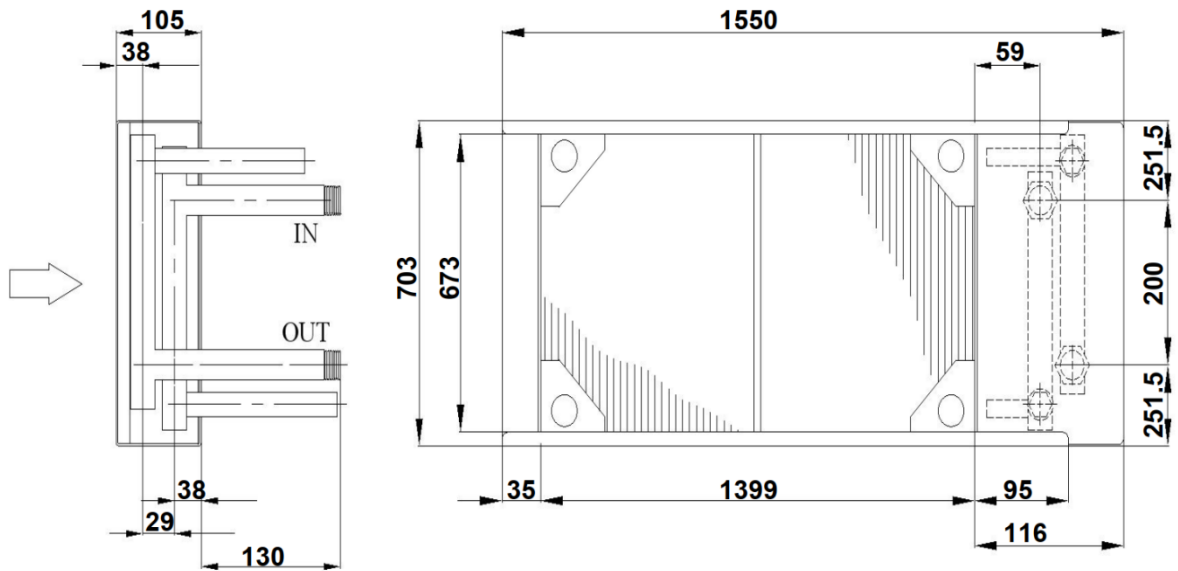
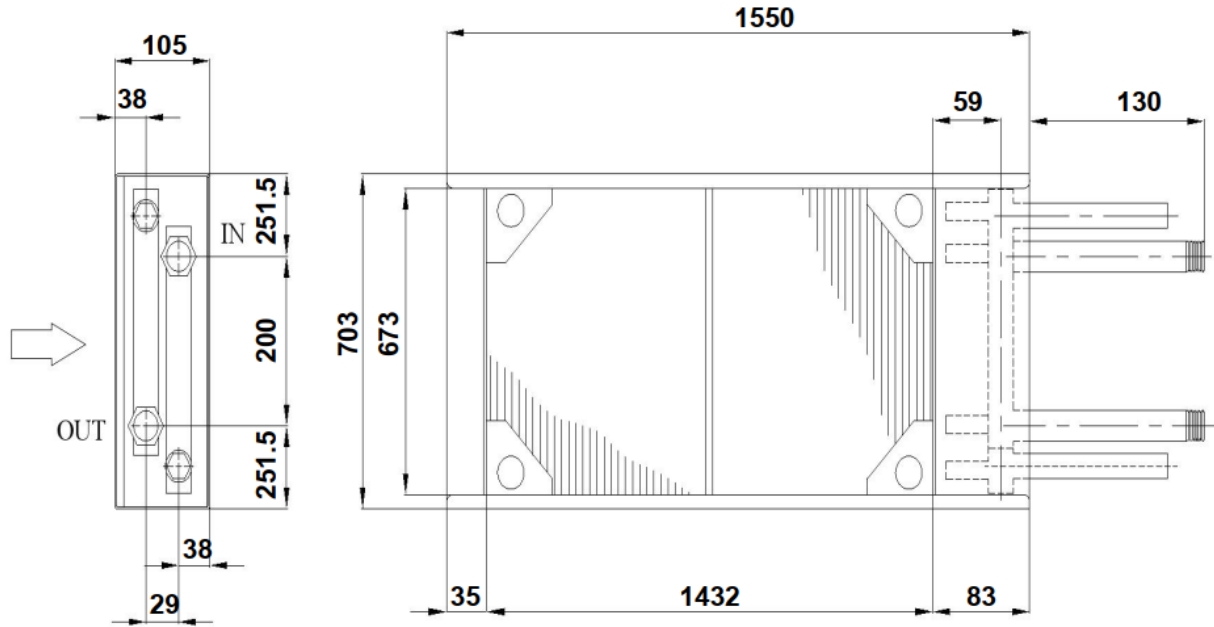
► **Coil Plate**



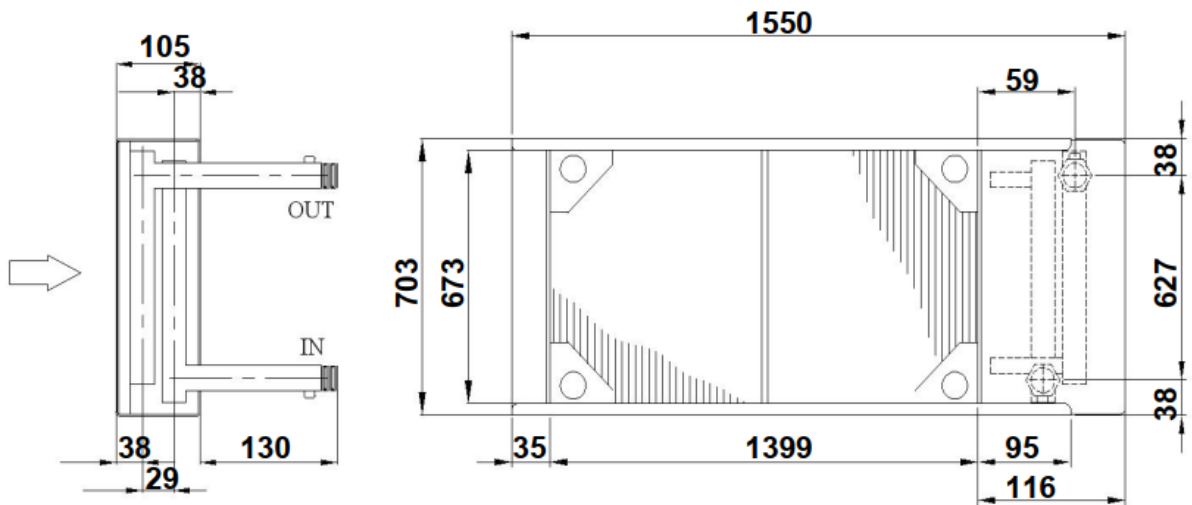
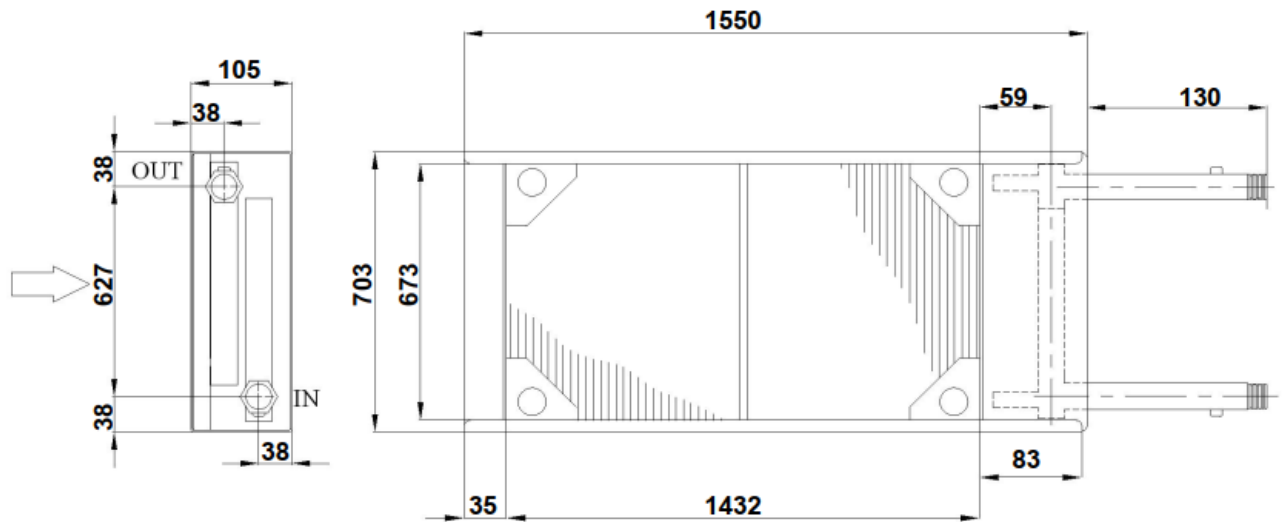
VENTMATIKA UAB  
 Metalistų g. 2A-1, LT -78107 Šiauliai  
 Tel./fax.: +370 41 54 02 55

Įmonės kodas: 145911813  
 PVM mok. kodas/ LT459118113  
 A/S LT207300010082178193  
 „Swedbank“ AB

► Drawings with different collectors



▶ **Collectors with nipple tubes**



For more information about us please visit [www.ventmatika.com](http://www.ventmatika.com) or contact [sales@ventmatika.lt](mailto:sales@ventmatika.lt).

VENTMATIKA UAB  
Metalistų g. 2A-1, LT -78107 Šiauliai  
Tel./fax.: +370 41 54 02 55

Įmonės kodas: 145911813  
PVM mok. kodas/ LT459118113  
A/S LT207300010082178193  
„Swedbank“ AB